



**4X4 ACCESSORIES**

# ARB INTREPID

SLIMLINE ROOFTOP TENT

**PRODUCT RELEASE**



**ARB INTREPID****ARB INTREPID SLIMLINE ROOFTOP TENT**

<b>Date</b>	March 2026
<b>Description</b>	ARB Intrepid Slimline Aluminium Rooftop Tent
<b>Part No.</b>	<b>Model / Width</b>
802610	2.0 1285mm wide
802620	2.5 1400mm wide
802630	3.0 1600mm wide

**OVERVIEW**

Completing ARB's now comprehensive line up of premium rooftop tents, we are delighted to introduce an innovative new solution within the market for slimline, clamshell style roof top camping.

The ARB Intrepid rooftop tent helps travelers explore with total freedom by delivering 36% more living space than traditional clamshells whilst remaining slimline and lightweight to complement modern vehicles.

Geometry in Motion. By re-thinking the way a rooftop tent ought to function, the incredible amount of extra space provided by it's proprietary bi-fold roof design elevates the camping experience by adding another level to your campsite. Sleep either end to suit the environment, get changed with ease or use the sheltered space as a chill out zone in unfavorable weather, the useable space in the ARB Intrepid feels more like a roof based camper than a tent.

**FEATURES AND BENEFITS**  
**EXTERIOR - OPEN**

- Proprietary bi-fold roof design provides 36% more internal living space compared to traditional clamshell alternatives
- Impressive 138cm internal headroom
- Rapid 60 second set-up time, through dual 300nm stainless steel gas struts
- Lightweight yet durable honeycomb aluminium construction



- Purpose built skin design features several clever advancements
- Integrated stays define the stowage location of the skin on packup, reducing the need to tuck in excessive fabric
- Interconnected rear grab handle enables effortless closure through centrally collapsing sides
  - 300 denier double-rip stop tent fabric

- Auto-opening, curved awnings shield side windows/doors and enable window mesh to be left ajar for ventilation even in adverse weather.
- Side doors feature unique three stage zipper, insect proof mesh and solid black out layer for total ventilation control.
- Rear access also includes zippable clear solid window for scenic views in any weather
- Two roof air vents, with flow control further promotes ventilation



- Versatile three sided/rear entry for different campsites & vehicle setups
- Rear door awning and HD window rods included as standard for coverage when entering
- Two stage eyelet positioning for shade/privacy control
  - Quality zips and high visibility pulls



**EXTERIOR - CLOSED**

- Spacious set up, slim in transit - at just 18cm thin closed!
- Positionable rear grab handle for opening/closing
- Two pairs of ladder brackets included for dual entry
- Four CNC aluminium latches, with safety linchpin on fronts for secure close



\*Pictured with optional roof cross bars fitted

- Can be packed away with standard bedding (exc. pillows)
  - Triple row T-slot channels surrounding the perimeter of the tent provide the mounting solution for a comprehensive accessory list like roof racks, solar panels, awnings, shoe organisers and lighting

- Lightweight construction at only 70kg (2.0 model)
- Laser etched aluminium rear branding plate
- ARB offers a tent painting service in any colour of choice to integrate with vehicle or simply personal preference



\*Pictured with optional Rapid T-Slot Loop



- Aluminium telescopic ladder with angled and wide steps included standard for comfortable access
  - Includes mounting kit to suit most roof bar/rack systems including ARB BASE Rack
  - Optional slimline, quick release clamp kit available designed specifically for tent and BASE Rack combination
  - A long, 11 rung ladder available for taller vehicles optionally

**INTERIOR - FRONT**

- Two internal side zippable storage pockets
- Dedicated door storage zipper allows side door skins to be stowed neatly inside when not in use and not drooping on the vehicle below or across the bed.
- Additional internal storage available through optional roof cargo net and/or front wall organiser - doubling also as a transparent holder for smartphone/tablet to watch a movie!



\*Pictured with optional roof cargo net and front wall organiser fitted

**INTERIOR - REAR**

- Two transparent stargazing windows with roll up black out covers offer a view or a sleep in!
- Rear 'U-bar' swivels out to construct full spacious set-up



**MATTRESS**

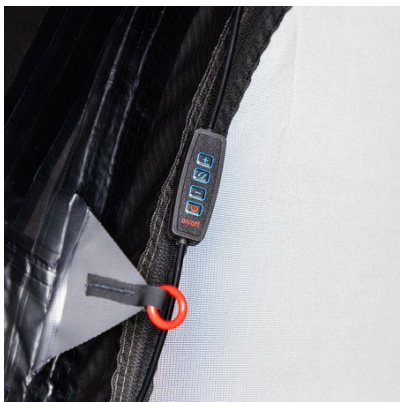
- Multi-layer mattress system includes insulation layer, foam, and anti-condensation mesh.



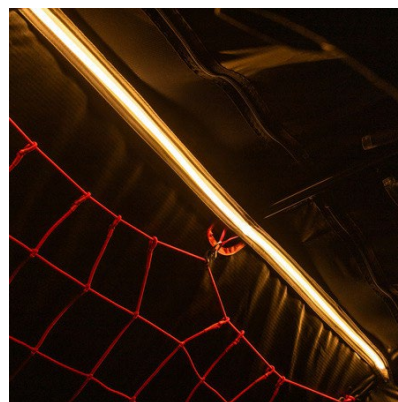
- 50mm mattress plus 15mm coiled condensation mat layer
- Quilted, water resistant mattress protector



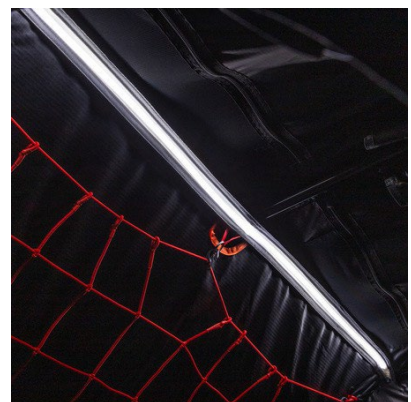
- Condensation mesh included standard for ventilation

**LIGHTING**

- Dimmable, dual temp internal LED strip lighting included



- Warm amber lighting
- Powered via USB-A connection to power bank or hard wired (Sold separately)



- Cool white lighting
- Warm/cool combo also selectable

**CAPABLE OF COLOUR CODING!**

**ACCESSORIES**

Quick Reference	Image	Part Number	Fit Time
<p><b>BASE Rack Quick Mount Block Set (Billet, Clear)</b></p>		<p>804600</p>	<p>0.5hr</p>
<p><b>BASE Rack Quick Mount Block Set (Black)</b></p>		<p>804600B</p>	<p>0.5hr</p>
<p><b>Standard Duty Awning Bracket Kit (3PK)</b></p>		<p>804601</p>	<p>0.5hr</p>
<p><b>Heavy Duty Awning Bracket Kit</b></p>	<p>TBC</p>	<p>804611</p>	<p>0.5hr</p>
<p><b>Wall Organiser - Front</b></p>		<p>804602</p>	<p>0.25hr</p>
<p><b>Cargo Net - Roof</b></p>		<p>804603</p>	<p>0.25hr</p>
<p><b>Heating / AC Vent Port</b></p>		<p>804604</p>	<p>1hr</p>
<p><b>Rapid T-Slot Loop</b></p>		<p>804605</p>	<p>N/A</p>
<p><b>Mantis Claw Ladder Hook</b></p>		<p>804606</p>	<p>N/A</p>

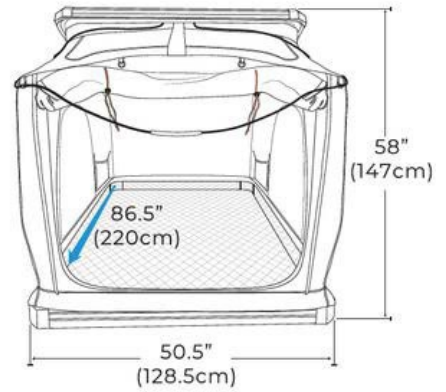
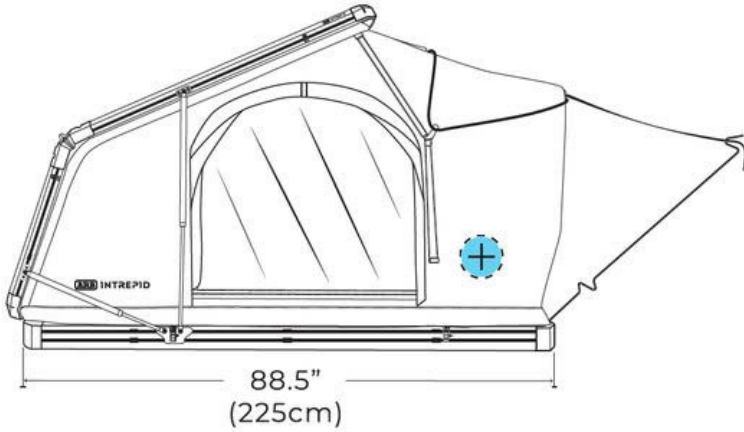
**ACCESSORIES - CONTINUED**

Quick Reference	Image	Part Number	Fit Time
Recline Chair		804607	N/A
Shoe Organiser		804608	N/A
Long Ladder (11 Step / 3.2m)		804609	N/A
T-Slot Hardware Kit		804610	N/A
Solar - Front Panel 150-160w		804640   2.0 804644   2.5	1hr + wiring
Solar - Rear Panel 300-320w		804642   2.0 804646   2.5	1hr + wiring
Dual Solar Panel Connector		804648	N/A
Roof Cross Bar Kit		804650   2.0 804652   2.5 804654   3.0	0.25hr
Thermal Insulation Skin		804660   2.0 804662   2.5 804664   3.0	0.25hr

**Weight and Dimensions**

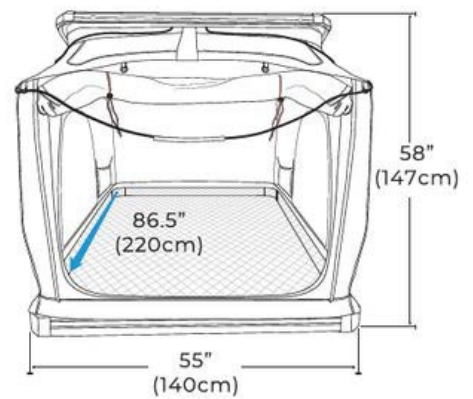
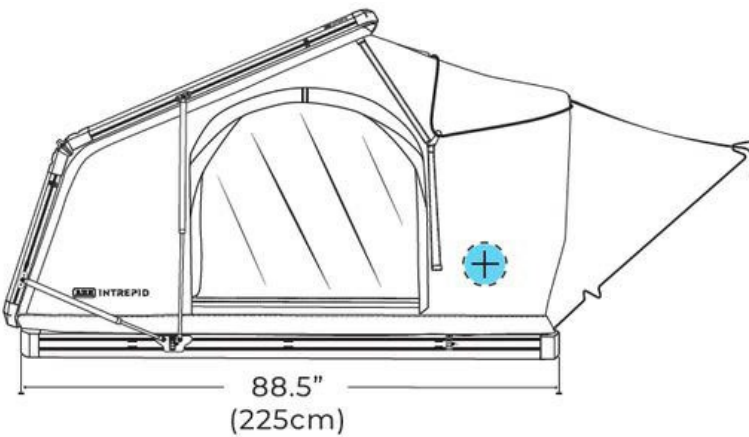
**2.0 (1285mm) - 802610**

**Weight: 70kgs**



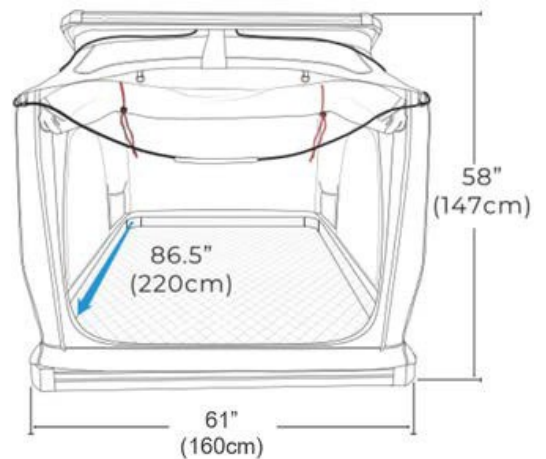
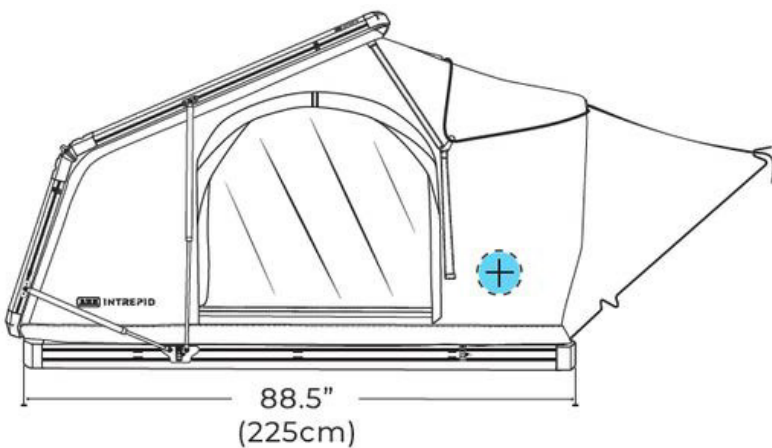
**2.5 (1400mm) - 802620**

**Weight: 75kgs**

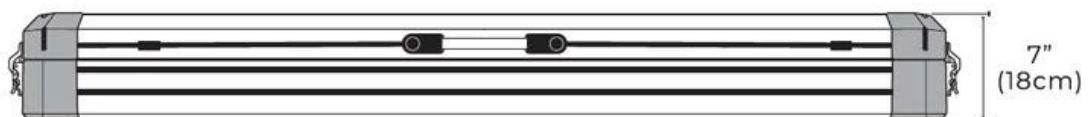


**3.0 (1600mm) - 802630**

**Weight: 85kgs**



**Height (All Models The Same)**



**Packaging**



**ARB INTREPID**

**ARB INTREPID 2.0 RTT  
SLIMLINE ALUMINIUM ROOFTOP TENT  
2250 x 1285MM**

**WHAT'S IN THE BOX?**

- 1X ARB INTREPID 2.0 SLIMLINE ALUMINIUM RTT
- 1X ANTI-CONDENSATION MATT AND MATTRESS
- 1X FIT KIT AND TOOLS
- 1X TELESCOPIC LADDER
- 2X LADDER BRACKETS
- 1X GRAB HANDLE
- 2X AWNING WINDOW RODS AND MOUNTING BLOCKS



**JOIN THE  
ADVENTURE  
COMMUNITY**



Part No. 802610  
MADE IN VIETNAM

Model	Packaged Length	Packaged Width	Packaged Height	Packaged Weight
2.0	240cm	142cm	23cm	108kg
2.5	240cm	155cm	23cm	117kg
3.0	240cm	175cm	23cm	129kg

55x ARB Intrepid tents fit in 1x 40" HC

\*All ARB Intrepid tents have serial numbers



Pictured: Two 2.5 tents at bottom and two 2.0 on top.

# Discover More!



**Website**  
[arb.com.au/Intrepid](http://arb.com.au/Intrepid)



**YouTube**  
ARB Intrepid RTT



**4x4 Culture**  
Issue 69



\*Pictured with optional roof cross bars and shoe organiser fitted